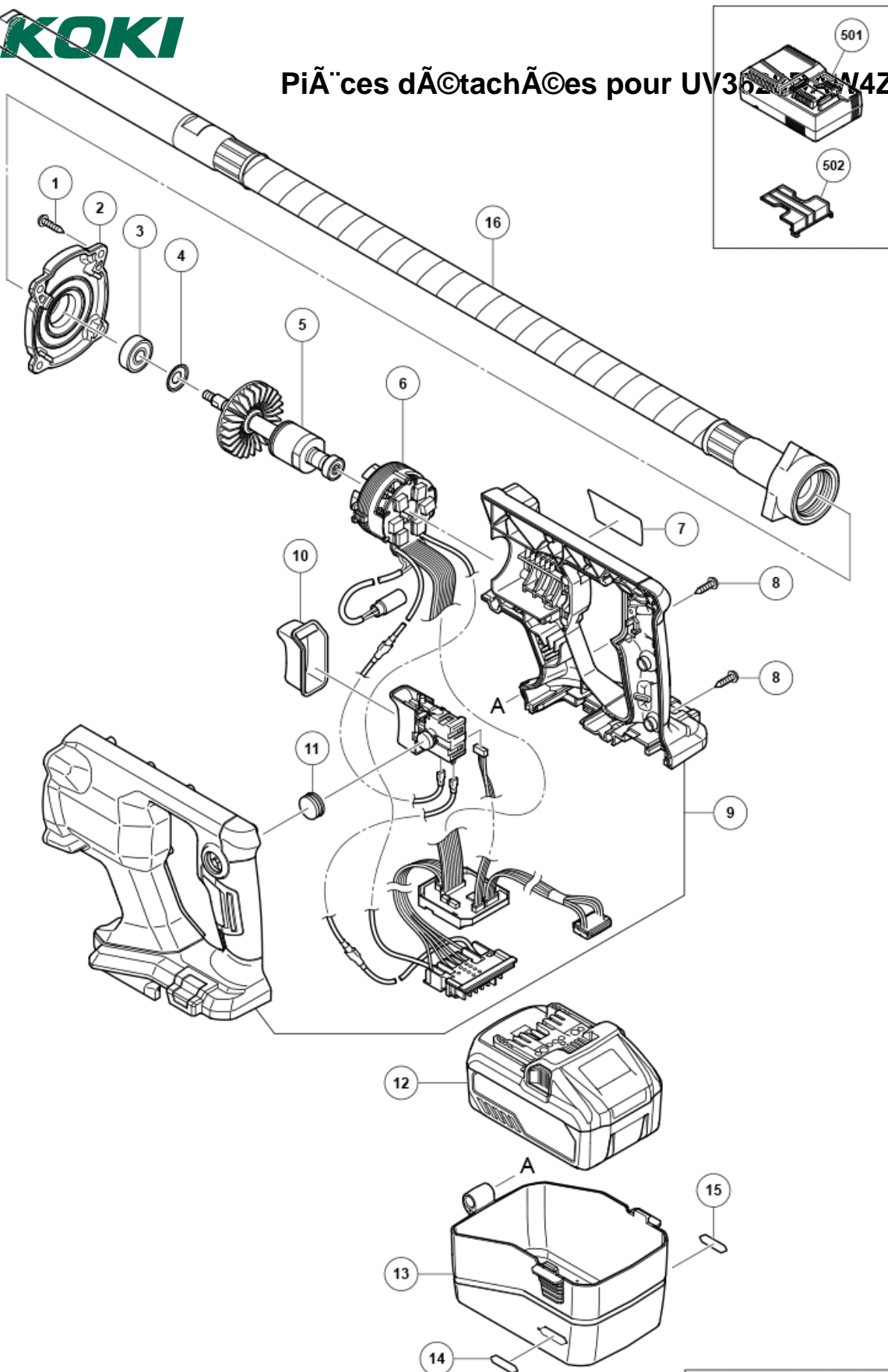


n°	Article	Quantité utilisée
1	302089 TAPPING SCREW (W/FLANGE) D5X20 (BLACK)	4
2	376121 FRONT COVER NEW	1
3	629VVM BALL BEARING 629VVMC2EPS2L	1
4	958915 WASHER (A)	1
5	361129 ROTOR ASS'Y NEW	1
6	341067 STATOR FET PCB ASS'Y NEW	1
7	NAME PLATE	1
8	313687 TAPPING SCREW (W/FLANGE) D3X16 (BLACK)	12
9	376120 HOUSING SET (A+B) NEW	1
10	376123 SWITCH COVER NEW	1
11	376124 ON LOCK COVER NEW	1
12	372120 BATTERY BSL 36B18 (EUROPE.AUS.NZL)	1
13	376122 BATTERY COVER NEW	1
14	373913 MV LABEL (A) NEW	1
15	373914 MV LABEL (B) NEW	1
16	376600 FLEXIBLE SHAFT 28MM 8.24M NEW	1
501	CHARGER (MODEL UC 18YSL3)	1
502	329897 BATTERY COVER	1

Pièces détachées pour UV3628DA/UV4Z



Rev.2
10.7.2020

MODEL
UV3628DA