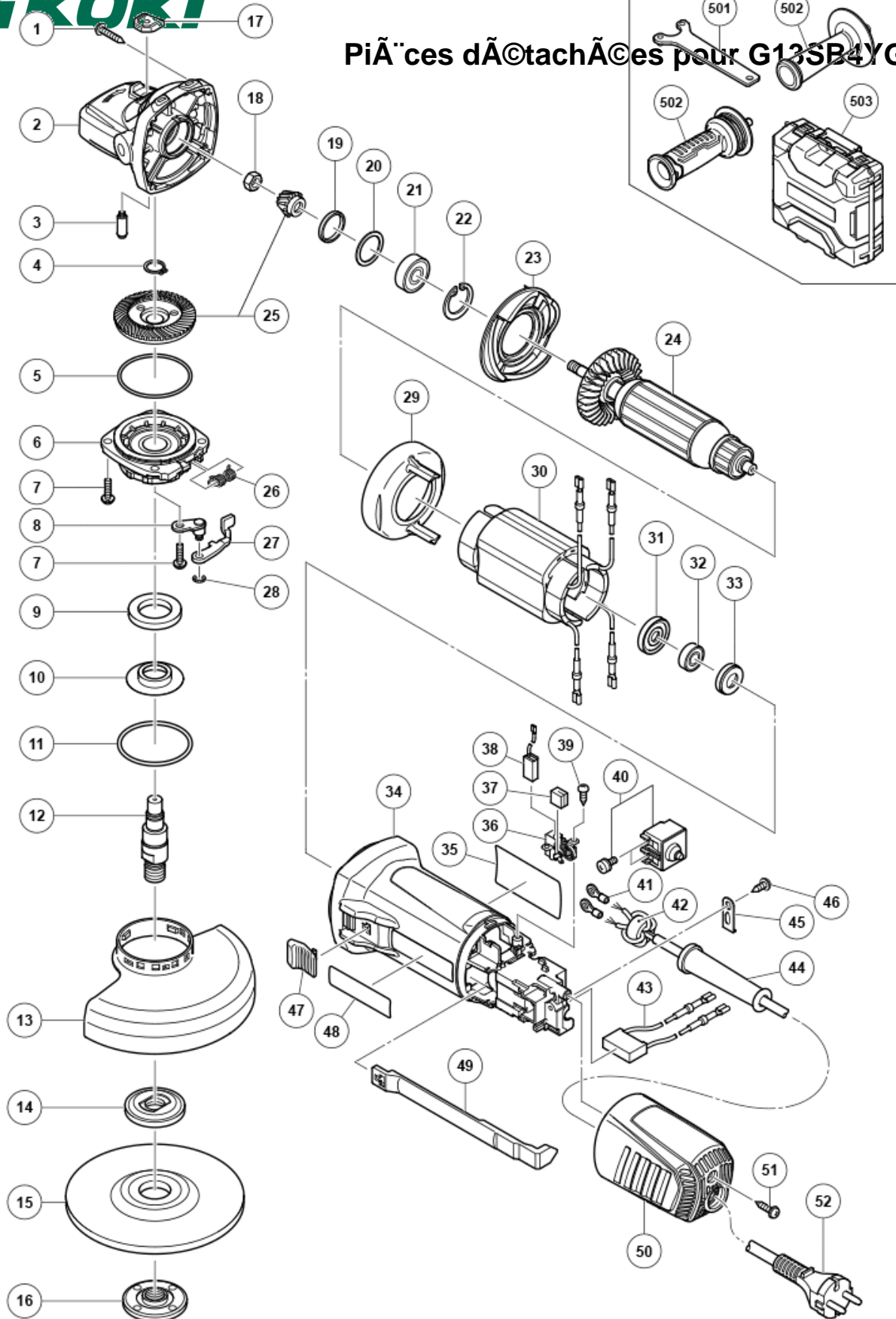


n°	Article	Quantité utilisée
1	307028 TAPPING SCREW (W/FLANGE) D4X25 (BLACK)	4
2	375889 GEAR COVER NEW	1
3	301943 LOCK PIN	1
4	939542 RETAINING RING FOR D12 (10 PCS)	1
5	375899 O-RING NEW	1
6	375887 PACKING GLAND NEW	1
7	376226 SEAL LOCK SCREW (W/SP. WASHER) M4X14 NEW	4
8	375894 LEVER HOLDER NEW	1
9	376227 FELT PACKING NEW	1
10	376228 FRINGER NEW	1
11	375900 O-RING NEW	1
12	375895 SPINDLE NEW	1
13	375904 WHEEL GUARD NEW	1
14	376067 WHEEL WASHER (OLD 937817Z)	1
15	316822 D. C. WHEELS 125MM A36Q (25 PCS.)	1
16	339579 WHEEL NUT M14 NEW	1
17	336535 PUSHING BUTTON	1
18	301941 SPECIAL NUT M7	1
19	308543 SEAL RING (A)	1
20	980866 WASHER (C)	1
21	629VVM BALL BEARING 629VVMC2EPS2L	1
22	939554 RETAINING RING FOR D26 HOLE (10 PCS)	1
23	336542 DIFFUSER	1
24	361131E ARMATURE ASS'Y 230 VOLT NEW	1
25	375888 GEAR AND PINION SET NEW	1
26	376229 SPRING NEW	1
27	375892 LEVER NEW	1
28	6685336 RETAINING RING D4	1
29	336530 FAN GUIDE	1
30	341070F STATOR ASS'Y 230-240 VOLT NEW	1
31	336536 DUST SEAL	1
32	336871 BALL BEARING 698SS	1
33	309929 RUBBER BUSHING	1
34	375878 HOUSING NEW	1
35	NAME PLATE	1
36	336537 BRUSH HOLDER	2
37	336872 CUSHION SPONGE	2
38	999088 CARBON BRUSH	2

n°	Article	Quantité utilisée
39	328210 TAPPING SCREW D3X8	4
40	376230 PUSHING BUTTON SWITCH NEW	1
41	980063 TERMINAL	2
42	334379 FERRITE CORE	1
43	375898 NOISE SUPPRESSOR NEW	1
44	953327 CORD ARMOR D8.8	1
45	937631 CORD CLIP	1
46	305720 TAPPING SCREW D4X12 (W/FLANGE)	1
47	314428 SLIDE KNOB	1
48	BRAND LABEL	1
49	375882 SLIDE BAR NEW	1
50	370047 TAIL COVER NEW	1
51	301653 TAPPING SCREW (W/FLANGE) D4X20 (BLACK)	1
52	500247Z CORD (NEW 714500)	1
501	938332Z WRENCH	1
502	994322 SIDE HANDLE	1
502	336865 SIDE HANDLE (VIBRATION-ABSORBING) (OLD 325496)	1
503	376233 PLASTIC CARRYING CASE NEW	1

Pièces détachées pour G13SB4YGZ



MODEL
G13SB4