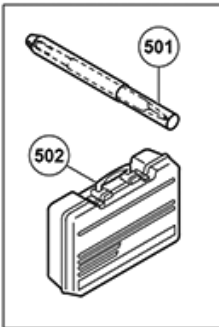
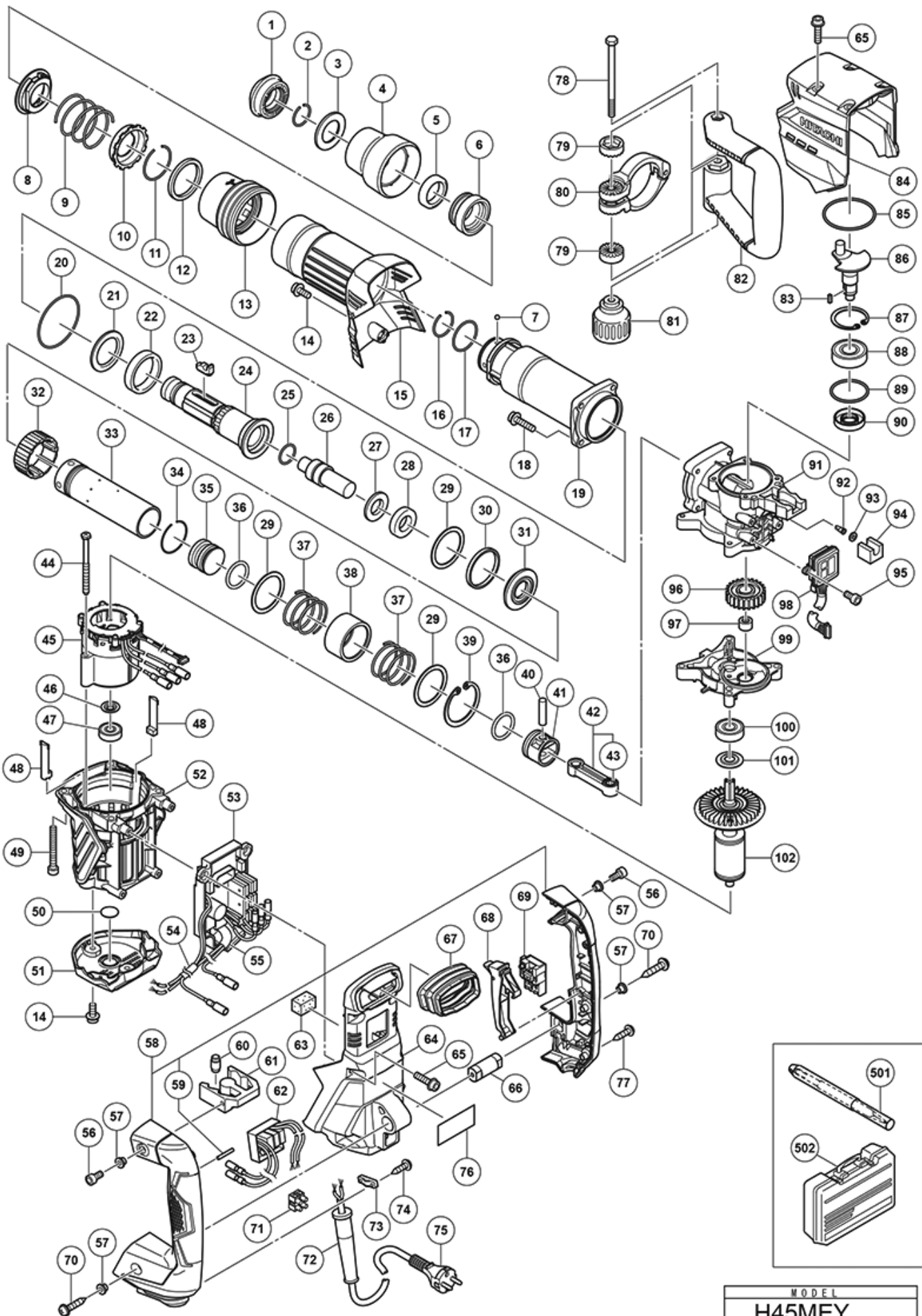


n°	Article	Quantité utilisée
*45	340885E STATOR SENSOR PCB SET 220-240 VOLT NEW MAY	1
*75	500446Z CORD FOR GBR 230V	1
*72	940778 CORD ARMOR D10.7	1
*75	500465Z CORD 4M 2 X 1.0 H07RN-F W/PLUG 16A CEE FORM 2P+E 110 VOLT	1
*53	370250 CONTROLLER 220V-240V	1
*62	337586 FILTER PCB SET 220-240 VOLT NEW MAY	1
*72	958049 CORD ARMOR D8.2 (OLD 958049Z)	1
1	337562	1
2	318590 STOPPER RING	1
3	370172 RETAINER WASHER	1
4	370173 GRIP	1
5	339053 RETAINER DAMPER (A) NEW DEC	1
6	337558 BIT LOCK HOLDER	1
7	370239 STEEL BALL D5	4
8	370242 SPRING HOLDER (A)	1
9	370243 RETAINER SPRING	1
10	370244 SPRING HOLDER (B)	1
11	333255 STOPPER RING	1
12	370240 BALL HOLDER	1
13	370241 GRIP (B)	1
14	998471 HEX.SOCKET HD.BOLT M5X12	3
15	370238 CYLINDER CASE COVER	1
16	320803 RING	1
17	337664 O-RING (S-35)	1
18	991712 HEX.SOCKET HD.BOLT (W/FLANGE)	4
19	370226 CYLINDER CASE	1
20	956996 O-RING (1AS-60)	1
21	337549	1
22	337548	1
24	370227 RETAINER SLEEVE	1
25	324921 O-RING (C)	1
26	370228 SECOND HAMMER	1
27	370229 DAMPER WASHER	1
28	370259 DAMPER	1
29	370230 WEIGHT WASHER	3
30	326662 DAMPER (C)	1
31	370231 DAMPER HOLDER	1
32	370232 CYLINDER HOLDER	1

n°	Article	Quantité utilisée
33	370233 CYLINDER	1
34	370235 STOPPER RING	1
35	370234 STRIKER	1
36	325297 O-RING (I.D.27.2)	2
37	370236 WEIGHT SPRING	2
38	370237 WEIGHT	1
39	967270 RETAINING RING FOR D52 HOLE	1
40	324917 PISTON PIN	1
41	324915 PISTON	1
42	339049 CONNECTING ROD ASS'Y (OLD 338148) NEW JAN	1
43	335303 NEEDLE BEARING	1
44	953174 HD.TAPPING SCREW D5X55 (OLD 956669)	2
46	958915 WASHER (A)	1
47	629VVM BALL BEARING 629VVMC2EPS2L	1
48	339910 SPACER NEW	2
49	986940 SEAL LOCK HEX. SOCKET HD. BOLT M6X45	4
50	333263 DUST SEAL	1
52	370251 HOUSING	1
54	370074 VINYL TUBE L50 NEW	1
55	370073 VINYL TUBE L35 NEW	1
56	991690 SEAL LOCK HEX. SOCKET HD. BOLT M5X12	2
57	991711 DISTANCE PIECE (B)	4
58	370258 HANDLE (A).(B) SET	1
59	949890 PIN D3X20 (10 PCS)	1
60	310124 HANDLE DAMPER	4
61	310123 TRANSATORY UNIT	1
63	338447 SPONGE (B) NEW	1
64	370246 BACK COVER	1
65	994192 HEX.SOCKET HD.BOLT	10
66	370253 HANDLE SHAFT	1
67	337591 BELLOWS NEW	1
68	370254 TRIGGER	1
69	337587 SWITCH NEW JUN	1
70	305558 TAPPING SCREW (W/FLANGE) D5X25 (BLACK)	2
71	958308Z PILLAR TERMINAL (A)	1
73	960266 CORD CLIP	1
77	301653 TAPPING SCREW (W/FLANGE) D4X20 (BLACK)	3
78	333228 BOLT M8	1

n°	Article	Quantité utilisée
79	333202 HANDLE HOLDER (B)	2
80	370247 HANDLE HOLDER	1
81	333201 GRIP	1
82	333199 SIDE HANDLE	1
83	940533 FEATHER KEY 3X3X10	1
84	370256 CRANK COVER	1
85	876433 CYLINDER O-RING BORE SIZE 55.9MM	1
86	370225 CRANK SHAFT	1
87	948391 RETAINING RING FOR D40 HOLE	1
88	6203DD BALL BEARING 6203DDUCMAV2S	1
89	996363 O-RING (S-40)	1
90	321274 OIL SEAL (B)	1
91	370224 CRANK CASE	1
92	995396 VALVE	1
93	949422 WASHER M3 (10 PCS) (OLD 949422Z)	1
94	370245 FELT	1
95	983162 SEAL LOCK HEX. SOCKET HD. BOLT M4X12	2
96	337532 FIRST GEAR NEW JAN	1
97	939299 NEEDLE BEARING (M661)	1
98	337581 PANEL NEW JUN	1
99	370252 GEAR COVER	1
100	6201DD BALL BEARING 6201DDUCMAV2S	1
101	302429 DUST WASHER (B)	1
102	337578 ROTOR	1
502	337594	1
602	308471 GREASE FOR HAMMER DRILL (70G)	1
603	980927 GREASE FOR IMPACT DRILL (FG-6A) (500G)	1



MODEL
H45MEY

Rev.1