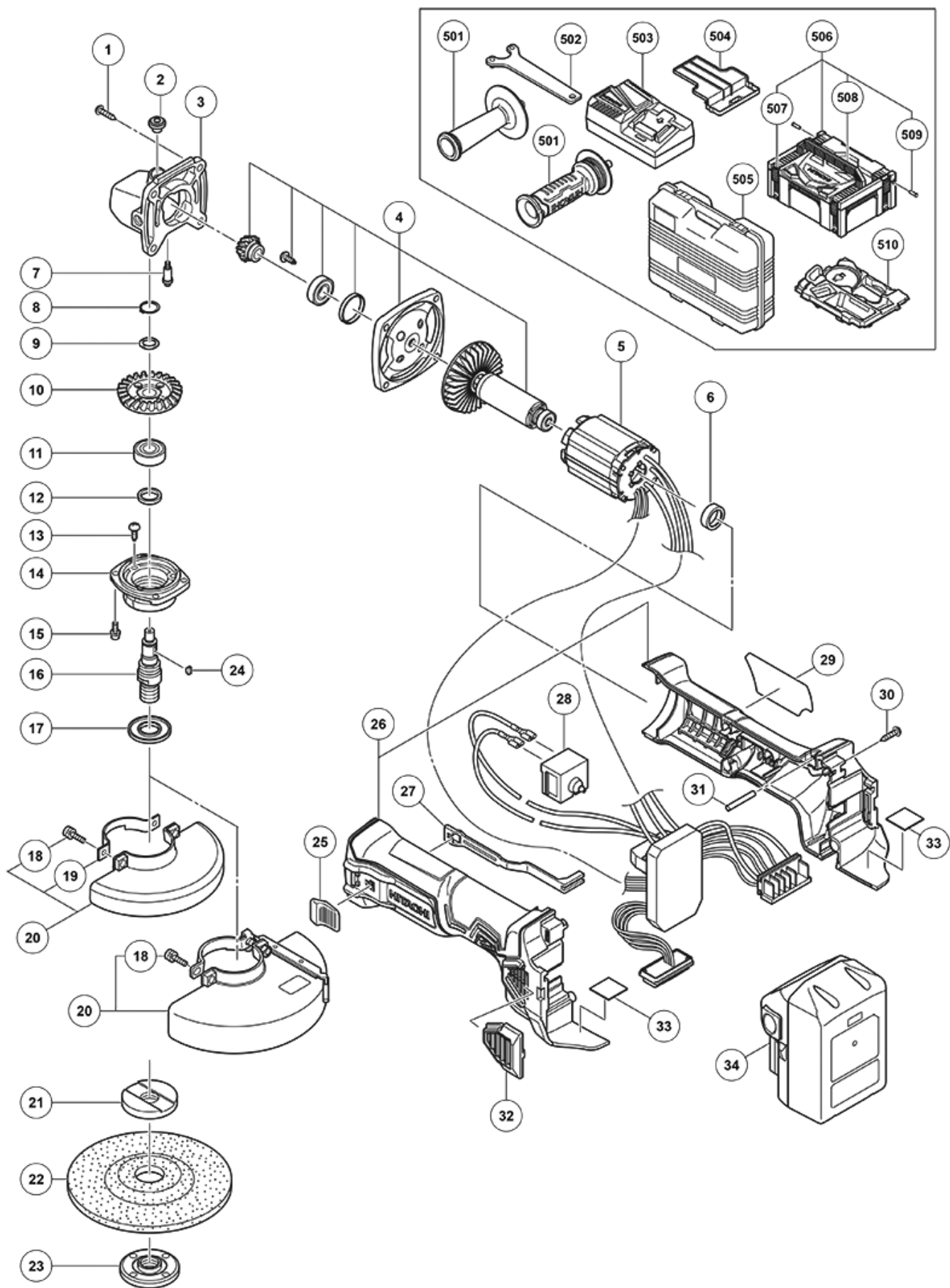


| n° | Article | Quantité utilisée |
|------|---|-------------------|
| *20 | 331076 WHEEL GUARD ASS'Y | 1 |
| *20 | 333840 TOOLLESS WHEEL GUARD 125MM NEW NOV | 1 |
| *501 | 318312 SIDE HANDLE | 1 |
| *502 | 313933 WRENCH | 1 |
| *16 | 328359 SPINDLE M14 | 1 |
| *20 | 331766 WHEEL GUARD ASS'Y | 1 |
| *18 | 338868 SLOTTED PLUS SCREW M5 NEW | 2 |
| *20 | 338579 TOOLLESS WHEEL GUARD 115MM NEW | 1 |
| *18 | 308386 MACHINE SCREW M5X16 | 2 |
| *20 | 315492 WHEEL GUARD ASS'Y | 1 |
| 1 | 328643 TAPPING SCREW (W/FLANGE) D4X23 (BLACK) | 4 |
| 2 | 301944 PUSHING BUTTON | 1 |
| 3 | 339183 GEAR COVER ASS'Y NEW | 1 |
| 4 | 360991 | 1 |
| 5 | 337878 | 1 |
| 6 | 338867 BUSHING NEW | 1 |
| 7 | 301943 LOCK PIN | 1 |
| 8 | 316487 RETAINING RING FOR D11 SHAFT | 1 |
| 9 | 316486 WAVE WASHER | 1 |
| 10 | 328364 GEAR | 1 |
| 11 | 6001VV BALL BEARING 6001VV | 1 |
| 12 | 301946 FELT PACKING | 1 |
| 14 | 328198 PACKING GLAND | 1 |
| 15 | 307127 SEAL LOCK SCREW (W/SP. WASHER) M4X12 | 4 |
| 17 | 301945 FRINGER | 1 |
| 19 | 301949 SET PLATE | 1 |
| 23A | 339578 WHEEL NUT M10 NEW | 1 |
| 24 | 302047 WOODRUFF KEY | 1 |
| 25 | 314428 SLIDE KNOB | 1 |
| 27 | 337871 SLIDE BAR NEW | 1 |
| 28 | 329057 PUSHING BUTTON SWITCH | 1 |
| 30 | 301653 TAPPING SCREW (W/FLANGE) D4X20 (BLACK) | 5 |
| 31 | 338869 PIN NEW | 1 |
| 32 | 338870 FILTER NEW JAN | 2 |
| 33 | 338871 RUBBER CUSHION (B) NEW | 2 |
| 504 | 329897 BATTERY COVER | 1 |
| 505 | 337867 PLASTIC CARRYING CASE NEW | 1 |
| 507 | 336472 LATCH | 4 |

| n° | Article | Quantité utilisée |
|-----|---|-------------------|
| 508 | 336473 HANDLE (HSC) NEW | 1 |
| 509 | 336474 HINGE | 2 |
| 510 | 338872 INNER TRAY | 1 |
| 601 | 937826Z WASHER NUT | 1 |
| 625 | 332785 CUTTING WHEEL GUARD 115 MM W/O BASE | 1 |
| 640 | 332788 CUTTING WHEEL GUARD 125 MM W/O BASE | 1 |
| 641 | 332787 CUTTING WHEEL GUARD 125 MM WITH BASE | 1 |
| 642 | 339151 WHEEL WASHER NEW | 1 |
| 644 | 338497 DUST COLLECTION ADAPTER NEW | 1 |
| 645 | 935513 WASHER NUT M10XP1.5 | 1 |
| 646 | 936558Z RUBBER PAD | 1 |



Rev.1

G18DBL