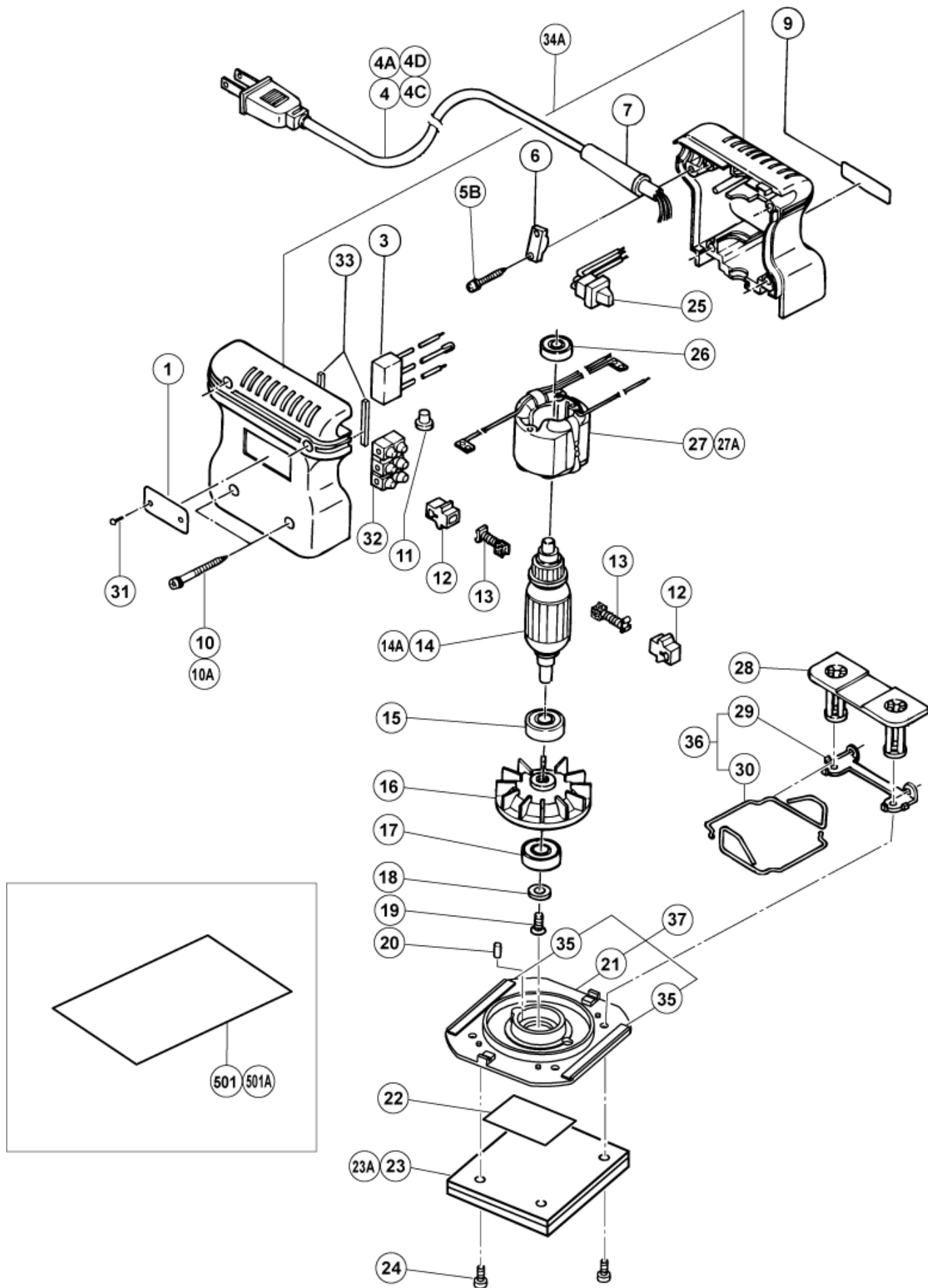


n°	Article	Quantité utilisée
3	930039 NOISE SUPPRESSOR	1
4D	500435Z CORD 2,5M 2 X 1.0 H05VV-F W/PLUG 13A/250V GBR	1
4C	500461Z CORD 3M 2 X 1,0 H05VV-F W/PLUG 16A CEE FORM 2P+E FOR GBR	1
4	500447Z CORD 2,5M 2 X 1.0 H05VV-F (OLD 500395Z)	1
4	500240Z CORD FOR USA/CAN	1
5B	305812 TAPPING SCREW (W/FLANGE) D4X16 (BLACK)	2
6	937631 CORD CLIP	1
7	930026 CORD ARMOR D10.2	1
7	930487 CORD ARMOR D8.2	1
11	959140 CONNECTOR 50091 (10 PCS.)	3
12	930483 BRUSH HOLDER	2
13	999041 CARBON BRUSH (1 PAIR)	2
14	987172E ARMATURE 220-230 VOLT (OLD 987172G)	1
15	629DDM BALL BEARING 629DDMC3PS2L (OLD 939465)	1
16	987165 BALANCER	1
17	6001DD BALL BEARING 6001DDUCMPS2S (OLD 980925)	1
18	987169 WASHER	1
19	949322 FLAT HD.SCREW M4X10 (10 PCS)	1
20	946362 BEARING LOCK	1
21	987166 BASE	1
22	953339 BEARING SEAL	1
23	991290 FELT PAD	1
24	949216 MACHINE SCREW M4X10 (10 PCS) (OLD 949216Z)	4
25	987182 SWITCH ASS'Y (2P SOLDER TYPE)	1
25	987175 SWITCH ASS'Y (2P SOLDER TYPE)	1
25	987173 SWITCH (2P SOLDER TYPE)	1
26	608VVM BALL BEARING 608VVC2PS2L	1
27	987171J STATOR 110-115 VOLT	1
28	987164 LEG	2
29	987168 GRIP HOLDER	2
33	982390 RUBBER PACKING	2
34A	991291 HOUSING ASS'Y (OLD 987162)	1
35	312010 RUBBER SHEET	2
36	316043 PAPER CLIP ASS'Y (INC.29,30)	1
37	319507 BASE (A) ASS'Y	1
601	987176 PAD ASS'Y PRESSURE SENSITIVE TYPE	1
602	987177 QUICK STICK SANDING PAD	1



形 名
SV12SA