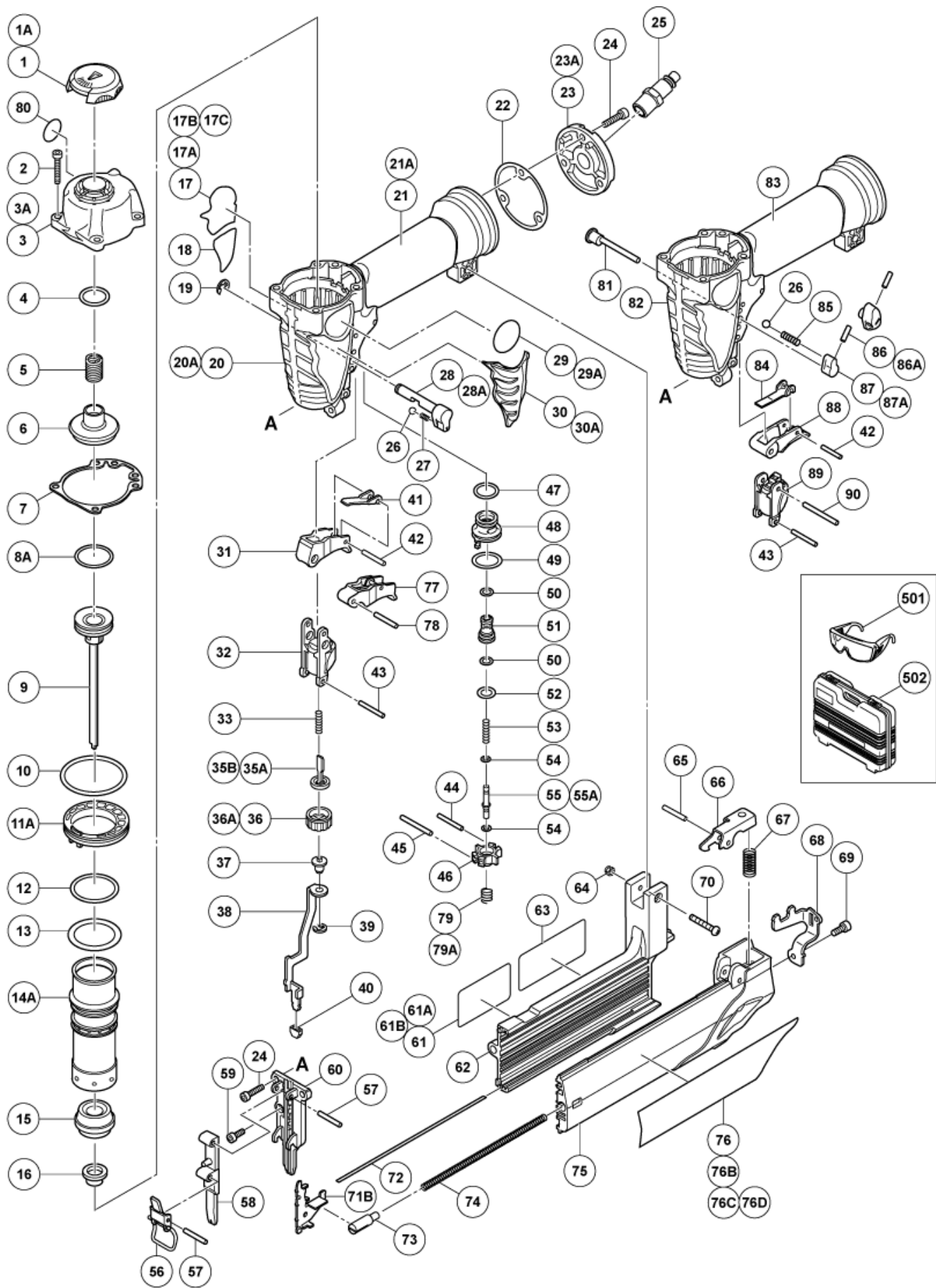


n°	Article	Quantité utilisée
1	885866 TOP COVER (GRAY)	1
2	949757 HEX.SOCKET HD BOLT M5X20 (10 PCS)	4
3	885867 EXHAUST COVER	1
5	880190 HEAD VALVE SPRING	1
6	880410 HEAD VALVE (A) (OLD 878598)	1
9	885870 PISTON	1
11A	885872 CYLINDER PLATE	1
14A	885873 CYLINDER	1
15	885874 PISTON BUMPER	1
16	885875 BUMPER PIECE	1
17C	888004 NAME PLATE NEW	1
18	885877 WARNING LABEL NEW	1
19	955479 RETAINING RING (E-TYPE) FOR D6 SHAFT	1
22	884342 GASKET (B)	1
23A	884343 CAP (A) (SILVER GREEN) 1/4-18NPT NEW	1
24	949821 HEX.SOCKET HD.BOLT M5X16 (10 PCS)	5
26	959155 STEEL BALL D3.97 (10 PCS.)	1
27	982454 SPRING (C)	1
28A	886265 CHANGE KNOB (C) (BLACK)	1
28	885658 CHANGE KNOB (C) (GREEN)	1
31	885657 TRIGGER ASS'Y (C)	1
32	885880 PUSHING LEVER GUIDE	1
33	885881 PUSHING LEVER SPRING (A)	1
35A	885973 PUSHING LEVER (C)	1
36	885884 ADJUSTER (GREEN)	1
37	885885 PUSHING LEVER (B)	1
38	885886 PUSHING LEVER (A)	1
39	872971 RETAINING RING (E-TYPE) FOR D3 SHAFT	1
40	885887 NOSE CAP	2
41	885689 TRIGGER ARM (C)	1
42	881951 ROLL PIN D2.5X16	1
44	949539 ROLL PIN D3X25 (10 PCS)	1
45	884975 ROLL PIN D3X32	1
46	884962 VALVE BUSHING (A)	1
47	877763 FEED PISTON O-RING (I.D.14)	1
48	884963 VALVE BUSHING (B)	1
49	873570 O-RING (P-18)	1
50	676531 O-RING (P-7)	2

n°	Article	Quantité utilisée
51	884964 VALVE PISTON	1
53	884966 PLUNGER SPRING	1
54	878888 O-RING (I.D. 1.8)	2
55A	887679 PLUNGER NEW OCT	1
55	885888 PLUNGER	1
56	885889 LOCK LEVER	1
58	885890	1
60	885891 BLADE GUIDE	1
61B	888005 LABEL	1
62	885893 MAGAZINE	1
64	876465 NYLON NUT M4	1
65	949685 ROLL PIN D4X32 (10 PCS)	1
66	885894 STOP LEVER	1
67	885895 SPRING	1
68	885896 PLATE	1
69	880413 NYLOCK HEX. SOCKET HD.BOLT M4X10	1
70	885960 SCREW M4X25 (BLACK)	1
71B	887995 NAIL FEEDER (OLD 887653)	1
72	885898 NAIL PLATE	1
73	885899 FEEDER PIECE	1
74	885900 FEED SPRING	1
75	885901 MAGAZINE COVER	1
77	884993 TRIGGER (D)	1
78	949518 ROLL PIN D3X18 (10 PCS)	2
79	884994 SPRING	1
80	883513 WARNING LABEL (A)	1
84	887755 TRIGGER ARM (D)	1
85	887673 SPRING NEW	1
86A	887619 ROLL PIN D3X8 NEW	1
86	887458 ROLL PIN D3X10 (10 PCS) NEW NOV	1
87A	887901 KNOB (S) NEW	1
87	887684 CHANGE KNOB (D) NEW	1
88	887756 TRIGGER (D) ASS'Y	1
90	887675 ROLL PIN D3X35 NEW	1
502	885902 CASE	1
601	881768 GRIP TAPE (OLD 880349)	1
602A	888213 TAPE (2 PCS.)	2
603	886375 O-RING KIT NT32AE2/NT50AE2/N3804AB3 NEW	1

n°	Article	Quantité utilisée
604	885868 GASKET	1
605	885871 O-RING (I.D.44.7)	1
606	886068 O-RING (P22.4)	1
607	878600 HEAD VALVE O-RING	1
608	301684 O-RING (S-30)	1
609	986374 O-RING (P-32)	1
611	887916 SINGLE SEQUENTIAL ACTUATION MECHANISM KIT NEW	1



Rev.12

形名
NT50AE2