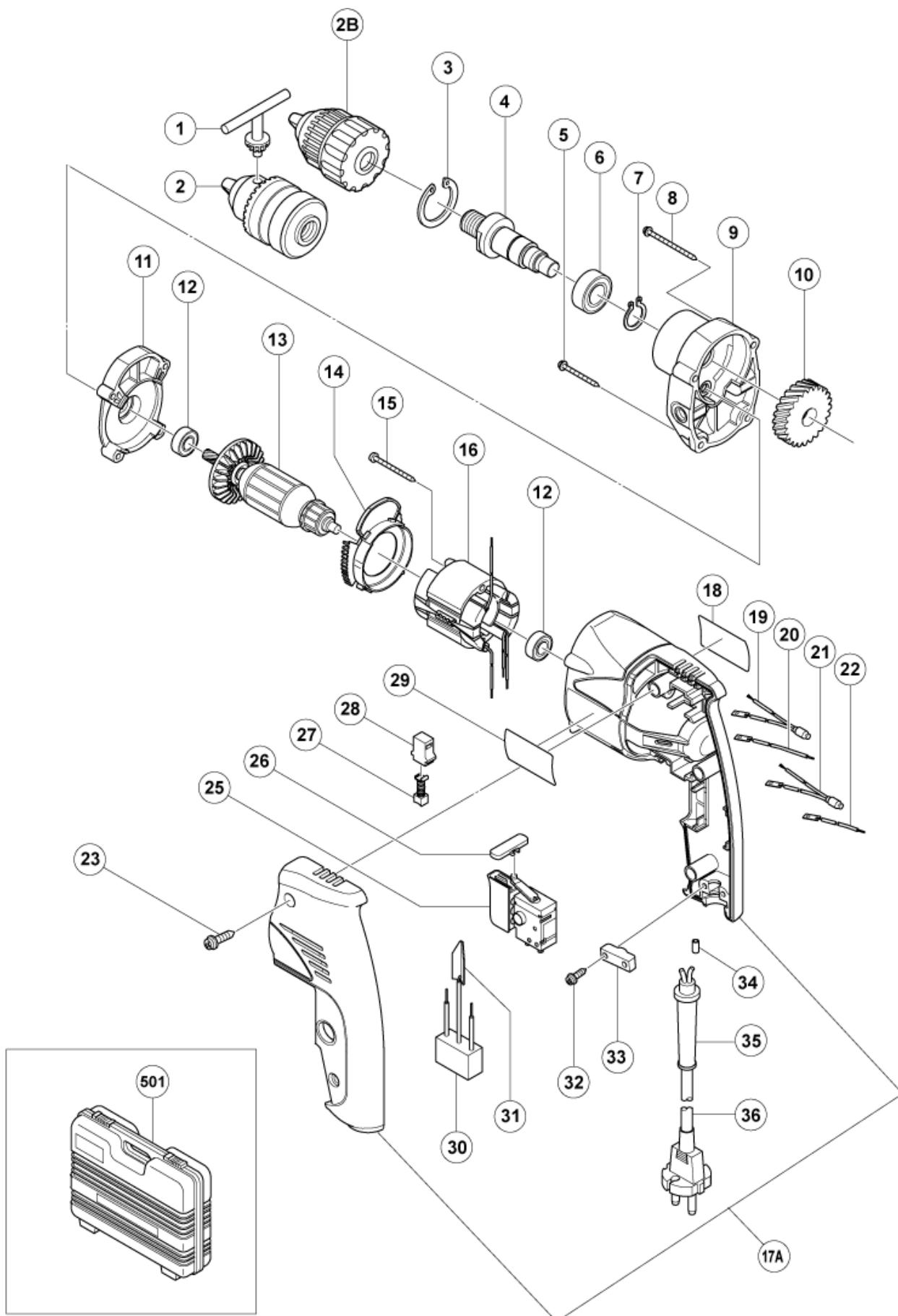


n°	Article	Quantité utilisée
3	948001 RETAINING RING D32 HOLE	1
4	321626 SPINDLE	1
5	305490 TAPPING SCREW D4X30 (W/FLANGE) BLACK	2
6	6002VV BALL BEARING 6002VVCMP2L	1
7	939544 RETAINING RING FOR D15 SHAFT (10 PCS)	1
8	301815 TAPPING SCREW D4X45 (W/FLANGE)	2
9	321625 GEAR COVER ASS Y	1
10	321627 GEAR	1
11	321624 INNER COVER ASS'Y	1
12	608VVM BALL BEARING 608VVC2PS2L	2
13	360596E ARMATURE 230-240 VOLT	1
14	321623 FAN GUIDE	1
15	950514 TAPPING SCREW D4X40	2
16	340547F STATOR 240 VOLT	1
16	340547E STATOR 230 VOLT	1
17A	331661 HOUSING HANDLE COVER SET (OLD 321622+321629)	1
19	321633 CHOKE COIL	1
20	321630 INTERNAL WIRE (BROWN) 100L	1
21	321634 CHOKE COIL (BLUE) 110V-240V	1
22	321631 INTERNAL WIRE BLUE 55L	1
23	301653 TAPPING SCREW (W/FLANGE) D4X20 (BLACK)	3
25	321632 SWITCH	1
26	321628 PUSHING BUTTON	1
27	999041 CARBON BRUSH (1 PAIR)	2
28	955203 BRUSH HOLDER	2
30	994273 NOISE SUPPRESSOR	1
31	992635 EARTH TERMINAL	1
33	937631 CORD CLIP	1
34	981373 TUBE (D)	2
35	953327 CORD ARMOR D8.8	1
36	500237Z CORD 2,5M 2 X 1.0 W/O PLUG (OLD 500396Z,971517Z,971675Z)	1
36	500447Z CORD 2,5M 2 X 1.0 H05VV-F (OLD 500395Z)	1
36	500435Z CORD 2,5M 2 X 1.0 H05VV-F W/PLUG 13A/250V GBR	1
501	321635 CASE	1
603	981205 SIDE HANDLE FOR M10	1



Rev.2

形名  
D10VC2