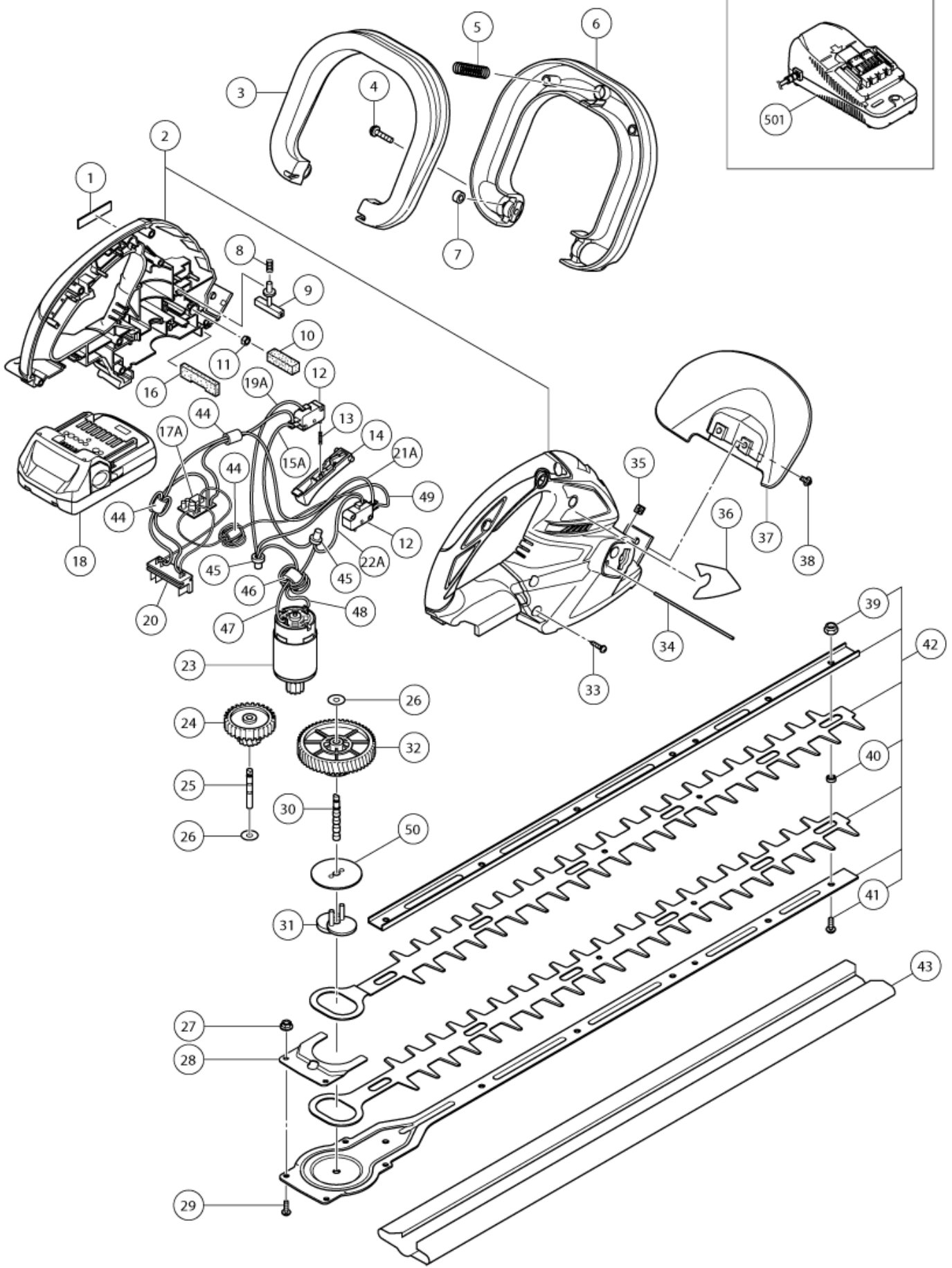


n°	Article	Quantité utilisée
1	330719 HITACHI LABEL	1
2	333331 HOUSING SET (A+B)	1
3	333338 SUB HANDLE (A)	1
4	880561 MACHINE SCREW M5X30 (W/WASHERS)	2
5	333341 SPRING (C)	1
6	333339 SUB HANDLE (B)	1
8	333344 SPRING (D)	1
9	333343 PUSH PIN	1
11	302012 NUT M5 (BLACK)	2
12	333325 SWITCH	2
13	324307 SPRING (B)	1
14	333761 TRIGGER NEW	1
15A	334613 INTERNAL WIRE BROWN NEW	1
17A	334618 PRINTED CIRCUIT BOARD	1
17	333762 PRINTED CIRCUIT BOARD	1
19A	334610 INTERNAL WIRE BLACK NEW	1
20	331399 BATTERY TERMINAL	1
21A	334619 INTERNAL WIRE RED NEW	1
22A	334614 INTERNAL WIRE RED NEW	1
22	323166 INTERNAL WIRE RED	1
23	333323 MOTOR DC 18 VOLT	1
24	333334 FIRST GEAR	1
25	329832 SHAFT (B)	1
26	329835 WASHER D15	2
28	325624 SPACER	1
29	696997 MACHINE SCREW M4X16 BLACK (W/SP. WASHER)	4
30	333335 SHAFT (C)	1
31	333780 CRANK CAM	1
32	333336 FINAL GEAR	1
33	301653 TAPPING SCREW (W/FLANGE) D4X20 (BLACK)	8
34	333342 SHAFT (D)	1
35	330056 NUT M4	2
37	330879 PROTECTOR	1
38	333781 MACHINE SCREW M4X12 BLACK (W/WASHER)	2
39	333772 NYLON NUT M5	6
40	333775 DISTANCE PIECE	6
41	333773 MACHINE SCREW M5X14 (W/SP. WASHER)	6
42	333776 BLADE ASS'Y	1

n°	Article	Quantité utilisée
43	333347 BLADE CASE	1
44	318247 FERRITE CORE	3
45	959141 CONNECTOR 50092 (10 PCS) (OLD 939558)	2
46	334379 FERRITE CORE	1
47	334615 INTERNAL WIRE BLACK NEW	1
48	334616 INTERNAL WIRE RED NEW	1
49	334617 INTERNAL WIRE BROWN NEW	1
50	333765 WASHER (A)	1



Rev.3

形 名
CH18DSL