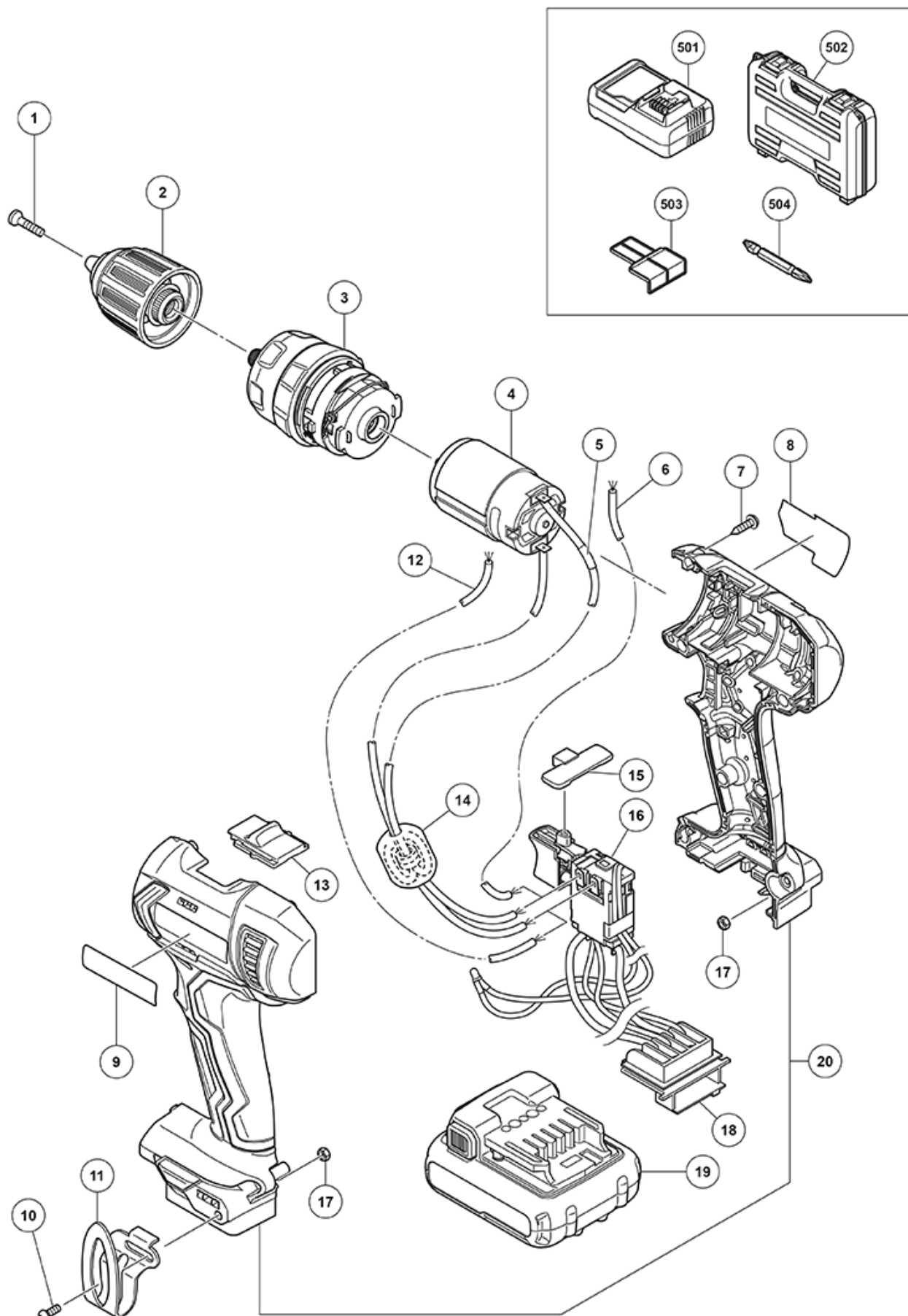


n°	Article	Quantité utilisée
*19	374954 BATTERY BSL 1225M (EUROPE)	2
1	337426 HEXALOBULAR M5 LEFT-HAND (OLD 325616)	1
2	337390 DRILL CHUCK 10TLRM-N (W/O CHUCK WRENCH)	1
3	374939 GEAR BOX (E) NEW	1
4	374937 MOTOR SET NEW	1
5	375587 TUBE NEW	1
6	375588 INTERNAL WIRE (RED) L110	1
7	313687 TAPPING SCREW (W/FLANGE) D3X16 (BLACK)	8
10	337357 TRUSS HD. SCREW M4 (BLACK) NEW	1
11	372229 HOOK NEW	1
12	375589 INTERNAL WIRE (BLACK) L80	1
13	374382 SHIFT KNOB NEW	1
14	375590 INTERNAL WIRE FERRITE SET NEW	1
15	329548 PUSHING BUTTON (A)	1
16	374935 DC SPEED CONTROL SWITCH NEW	1
17	327002 LOCK NUT M4 (BLACK)	2
18	374387 BATTERY TERMINAL NEW	1
20	374934 HOUSING SET (A+B) NEW	1
501	CHARGER (MODEL UC 12SL)	1
502	336642	1
503	374778 BATTERY COVER NEW	1
504	983006 + DRIVER BIT NO.2 65L	1



MODEL  
DV12DA

Rev.1